

# ELIT

## Reinforcement clamp galv. steel Ø10-40mm to

Reinforcement clamp in galvanized steel with clamping range  
Ø10-40mm to Ø10mm/fl. 30-40mm

### Technical description

Reinforcement clamp in galvanized steel for connecting round and flat conductors to reinforced steel.

Fit: round/flat

Clamping range, reinforcement: Ø 10-40 mm

Clamping range, earth conductor: Ø 10 mm/fl. 30-40 mm

Screw: Hexagon bolt M10, galvanized steel

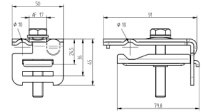
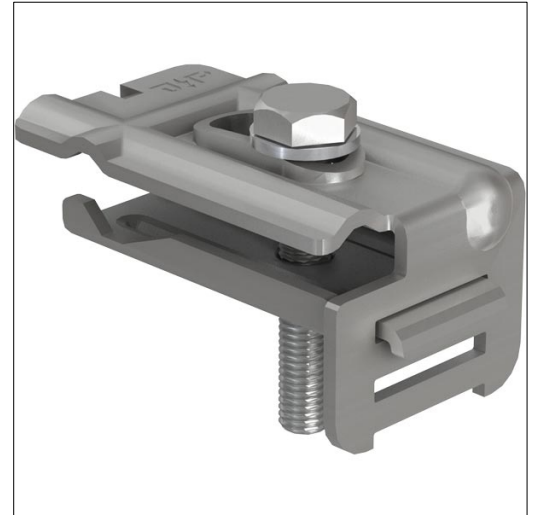
Spring lock washer: stainless A2 steel

Manufactured according to EN 62561-1.

### Advantages:

Galvanized steel armouring clamp for connecting round and flat conductors

Manufactured according to EN 62561-1



Product name/ Art.nr/ GTIN	ELIT ARM-KLEM-GALV-RUND/FLAT/ 40190007/ 7070810040520
According to:	EN 62561-1
Type of accessory/spare part	Connection element
Accessory	Yes
Material	Steel
Surface protection	Hot-dip galvanized